

Diamond Power® SpoutRunner™ Rodding Robot for Safe, Automated Spout Cleaning

Committed to the innovation of safe, reliable solutions for the pulp & paper industry, Babcock & Wilcox (B&W) offers the patented Diamond Power® SpoutRunner™ system for minimizing operators' exposure to volatile smelt while safely and effectively cleaning spouts in process recovery boilers.

Designed for Safety and Durability

Engineered to address the most dangerous task in recovery boiler maintenance, the SpoutRunner automates the rodding of smelt for the safety of mill personnel. Simple to operate, it consists of a hinged pneumatic drive that, when activated, uses gravity and pneumatic force to travel up and down the spout with a custom-designed cleaning tool that safely and reliably clears the smelt away.

After each cleaning cycle, the cylinder fully retracts, with the cleaning tool positioned away from the smelt. No parts are left on the spout deck, and nothing blocks the escape passages.

Designed for Flexibility

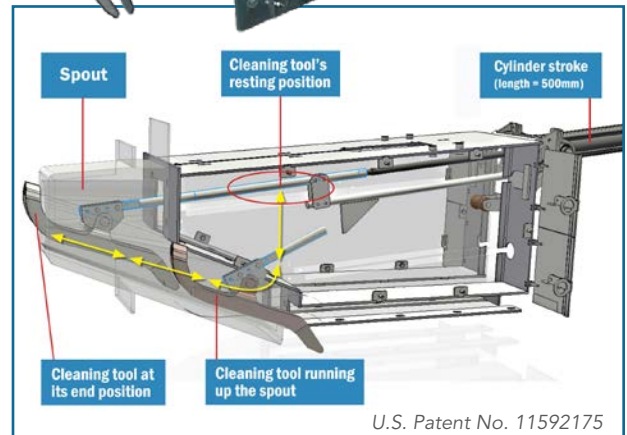
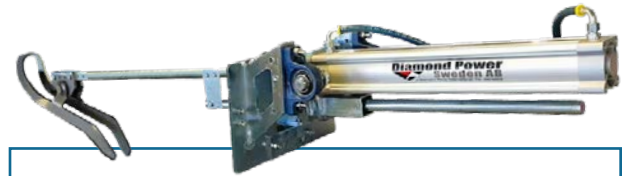
The SpoutRunner system does not interfere with normal spout operation, and manual rodding is still possible, if needed. It can be fully integrated with the unit's existing hoods or installed with custom hoods, and is easily mounted and removed.

Options include:

- Integrated camera
- Retractable unit for fast removal

BENEFITS

- Minimizes operators' time spent around the volatile spout deck
- Durable design made to withstand harsh operating environments
- Continuous spout cleaning provides undisturbed flow
- Easy to integrate with existing spout hood
- Quick setup/removal for easy maintenance
- Simple to operate, superior performance and more cost-effective than most comparable offerings



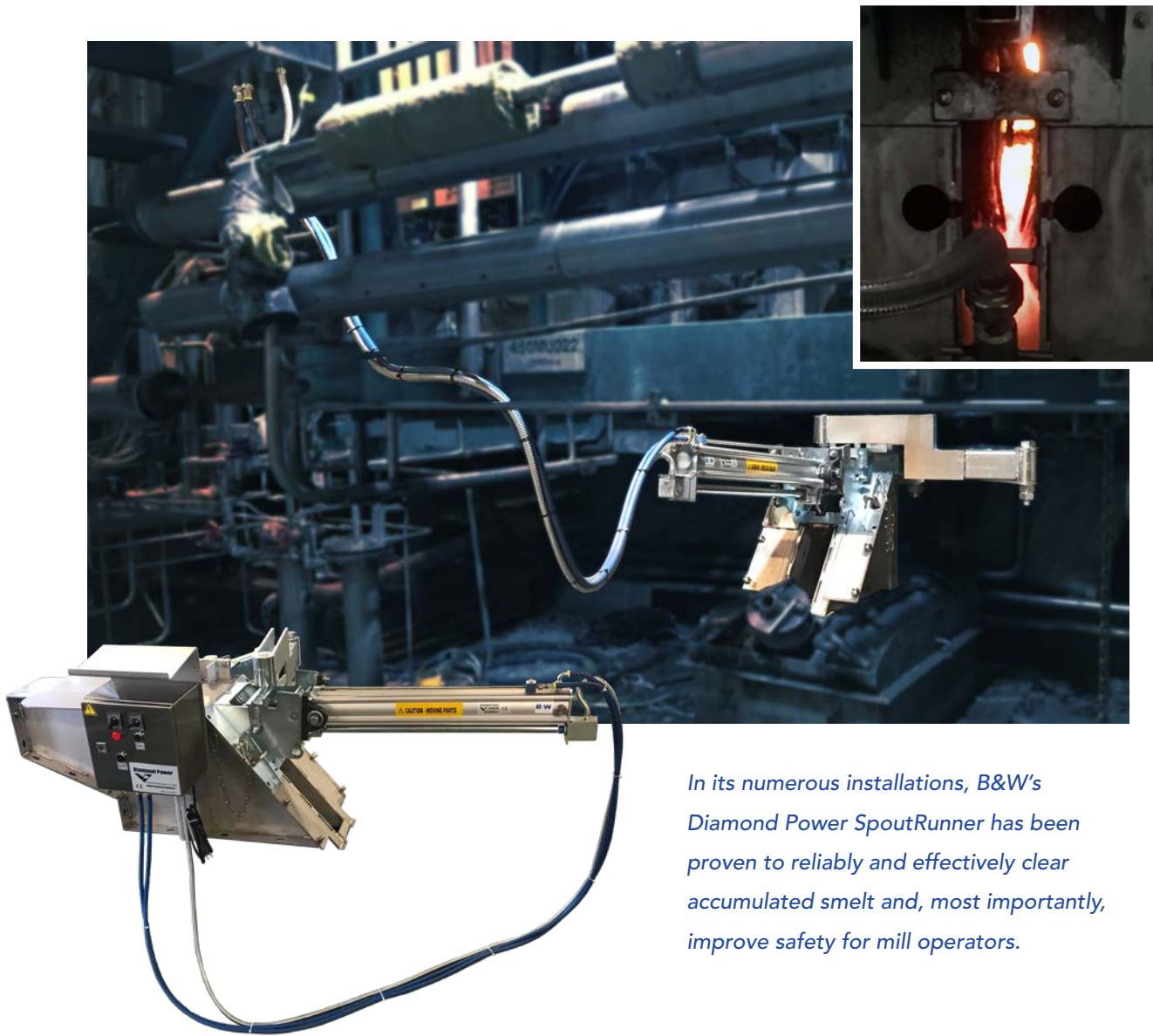
SpoutRunner Specifications

Cylinder	80 mm diameter, 500 mm stroke with end-lock
Length	1.780 m (70 in.)
Air Requirements	Oil-free dry, 6 bar (85 psi)
Material	Zinc-coated structural steel (S355MCD)
Cleaning tool	Custom-designed, S355MCD t=8 mm

Control Box Specifications

Power Requirements	24-230 VAC, 50/60 Hz
Dimensions	Height: 0.30 m (12 in.) Width: 0.30 m (12 in.) Depth: 0.20 m (8 in.)
Enclosure Rating	IP 65
Control	Locally mounted PLC or DCS
Solenoid Valve	ISO 3

continued ▶



In its numerous installations, B&W's Diamond Power SpoutRunner has been proven to reliably and effectively clear accumulated smelt and, most importantly, improve safety for mill operators.

Babcock & Wilcox

1200 E Market Street, Suite 650
Akron, Ohio, U.S.A. 44305
Phone: +1 330.753.4511

www.babcock.com    

The information contained herein is provided for general information purposes only and is not intended nor to be construed as a warranty, an offer, or any representation of contractual or other legal responsibility.

Diamond Power and *SpoutRunner* are trademarks of The Babcock & Wilcox Company.



RENEWABLE | ENVIRONMENTAL | THERMAL

Established in 1867, Babcock & Wilcox is a global leader in renewable, environmental and thermal technologies and services for power and industrial applications.

For more information or to contact us, visit our website at www.babcock.com.